

**Telescopic
Telescopic 90 cm
Stainless steel**



EAN 5414425006939

Energy label

▪ Energy Efficiency class (EEIhood)	C
▪ Annual Energy Consumption (kWh/year) (AEChood)	86,2
▪ Fluid Dynamic Efficiency class (FDEhood)	D
▪ Lighting Efficiency class (LEhood)	A
▪ Grease Filtering Efficiency class (GFEhood)	E

Functions & features

▪ Motor	Integrated
▪ Sound absorber	Integrated
▪ Recirculation	Optional
▪ InTouch function	Optional
▪ Auto stop	▪
▪ Delayed switch off (minutes)	10
▪ Grease filter	609014
▪ Number of grease filters	2
▪ Grease filter cleaning indication	▪
▪ Recirculation filter cleaning indication	▪
▪ Control method	Push buttons
▪ Number of speeds	3 + power
▪ Automatic Power revert (minutes)	6

Dimensions

▪ Product dimensions (WxDxH) (mm)	898 x 290 x 348
▪ Dimensions cut-out opening (WxD) (mm)	860 x 180
▪ Min dimensions cabinet (WxDxH) (mm)	900 x 280 x 450
▪ Advised mounting height induction hobs (Hmin-Hmax) (mm)	650 - 750
▪ Advised mounting height gas hobs (Hmin-Hmax) (mm)	650 - 750
▪ Advised mounting height ceramic hobs (Hmin-Hmax) (mm)	600 - 750
▪ Diameter outlet (mm)	150
▪ Position exhaust	Top

Lighting

▪ Functional lighting type	LED
▪ Functional light dimmable	-
▪ Soft-ON/OFF	▪
▪ Number of functional lights	2
▪ Total energy consumption functional light (W)	4
▪ Color functional light (K)	2700

Airflow and noise level

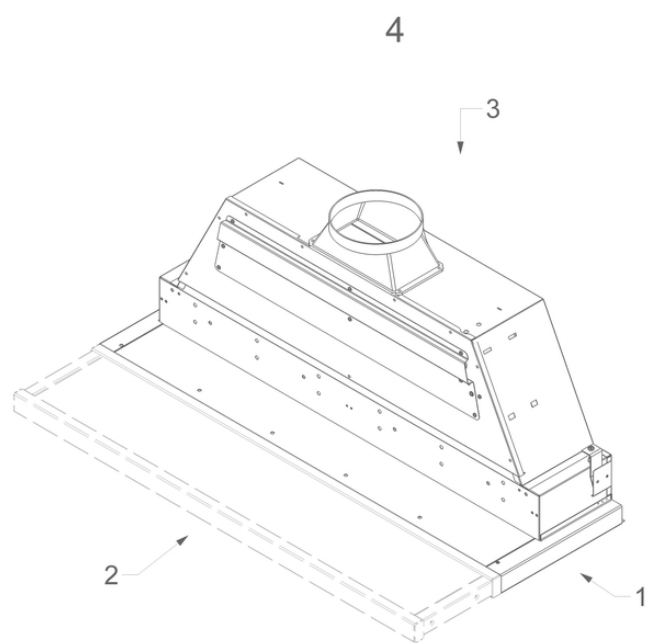
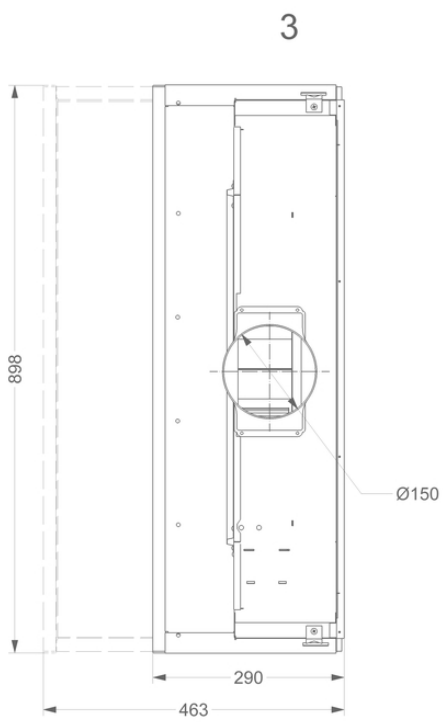
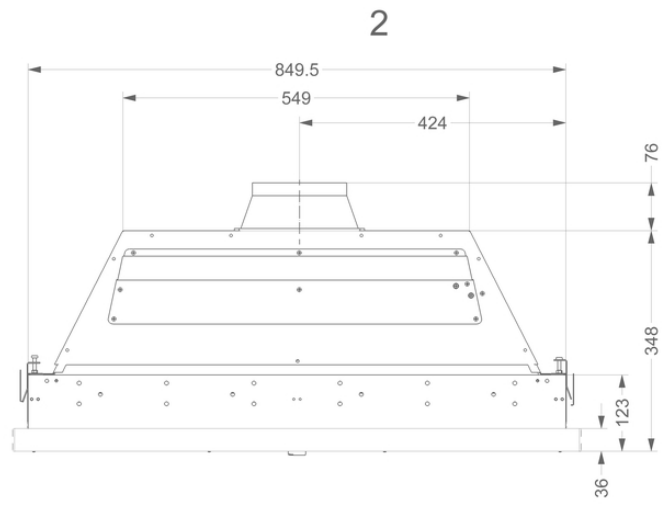
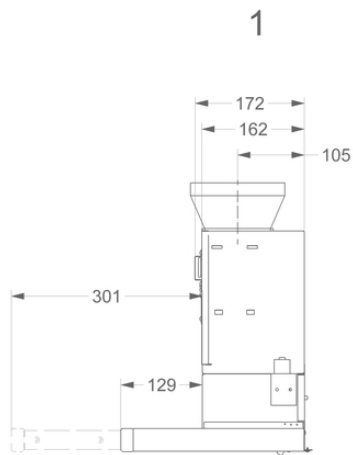
▪ Free airflow (m ³ /h)	940
▪ Airflow (m ³ /h) measured according to EN 61591	

Airflow and noise level

- Sound regulation according to EN 60704-2-13
- Airflow duct out speed 1 (m³/h) / Max pressure duct out speed 1 (Pa) 259 / 153
- Airflow duct out speed 2 (m³/h) / Max pressure duct out speed 2 (Pa) 356 / 225
- Airflow duct out speed 3 (m³/h) / Max pressure duct out speed 3 (Pa) 436 / 262
- Airflow duct out max powerspeed (m³/h) (Qboost) / Max pressure duct out605 / 318
max powerspeed (Pa)
- Sound pressure duct out speed 1 (dB(A)) / Sound power duct out speed 32 / 43
1 (dB(A))
- Sound pressure duct out speed 2 (dB(A)) / Sound power duct out speed 39 / 50
2 (dB(A))
- Sound pressure duct out speed 3 (dB(A)) / Sound power duct out speed 43 / 55
3 (dB(A))
- Sound pressure duct out at max powerspeed (dB(A)) / Sound power duct 50 / 61
out at max powerspeed (dB(A)) (LWAbost)

Technical specifications

- | | |
|---|------|
| ▪ Maximum power (W) | 200 |
| ▪ Voltage appliance (V) | 230 |
| ▪ Frequency (Hz) | 50 |
| ▪ Power consumption in stand-by-mode (Ps) (W) | 0.29 |
| ▪ Net weight (kg) | 18,5 |
| ▪ Length power supply cable (m) | 1,1 |



Accessories

Recirculation kit



692400

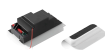
Monoblock recirculation set for 691, 692, 693



906450

Exhaust grill for upper cabinet black

Control kit



990021

InTouch Kit incl. remote control



990030

Kit connection with external cover and/or lighting

